

Veris Differential Pressure Transducer Connection Instructions

For use with HOBO® H22, U12, U30, UX120-006M, MX1104, MX1105, and RX3000 data loggers and HOBO ZW data nodes

Applies to these Veris Differential Pressure Transducers:

Onset Part No.	Air Pressure Range	Output	Veris Part No.
T-VER-PX3UL	0-10" WC	4-20mA (or 0-5V/0-10V) representing 0 to 10" WC	PX3ULX05

This document provides instructions on connecting the Veris Differential Pressure Transducer listed above to each of the following:

- FlexSmart™ Analog Module used with HOBO H22 series data loggers
- Analog Sensor Port/Module used with HOBO U30 and RX3000 series data loggers
- Voltage adapter used with the U12, UX120-006M, MX1104, and MX1105 data loggers and ZW series data nodes

It also lists configuration values used by HOBO software to configure the logger for each transducer. **Note:** For information on connecting the differential pressure transducer to the pressure source, and other transducer details, refer to the documentation provided by Veris.



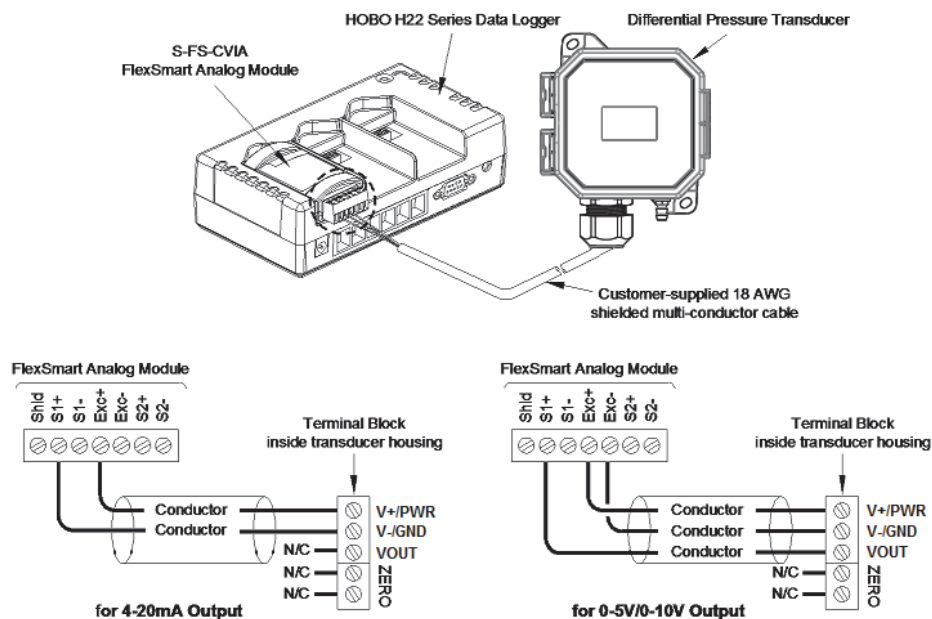
Veris Differential Pressure Transducer

Required

- Selected Veris Differential Pressure Transducer
- HOBO H22, U12, U30, UX120-006M, MX1104, MX1105, or RX3000 data logger, or HOBO ZW data node
- FlexSmart Analog Module, S-FS-CVIA (for H22 series); Analog Sensor Port/Module option (for U30 and RX3000 series); voltage adapter, CABLE-ADAP5 or CABLE-ADAP10 (for U12, UX120-006M, MX1104, MX1105, or ZW series) or SD-VOLT-05 or SD-VOLT-10 (for MX1104 and MX1105)
- HOBOWare® software, version 2.2.1 or higher for H22 or U12; 2.4.0 or higher for U30 series; 3.6 or higher for UX120-006M; HOBOWare Pro 3.0 or higher for ZW series
- HOBObconnect™ for MX1104 and MX1105
- HOBOLink® for RX3000 series data loggers
- Customer-supplied length of 18 AWG, shielded, multi-conductor cable

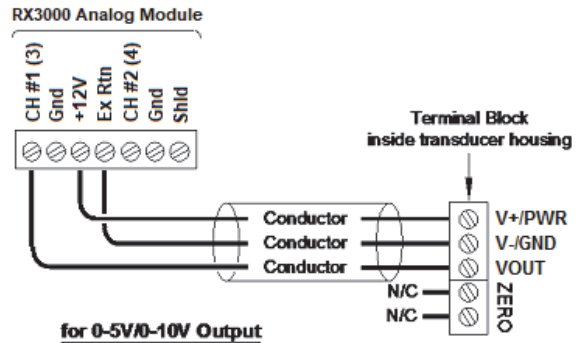
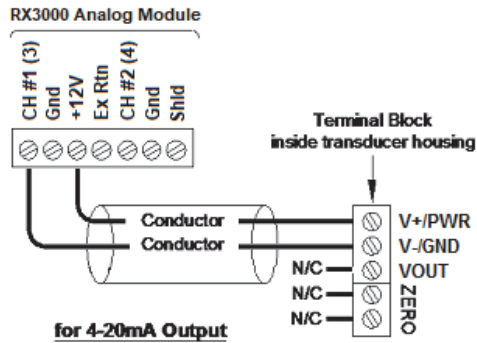
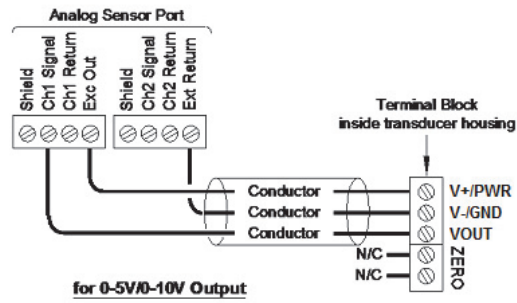
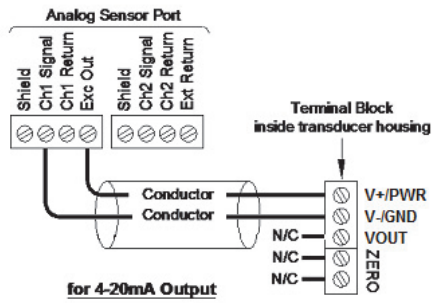
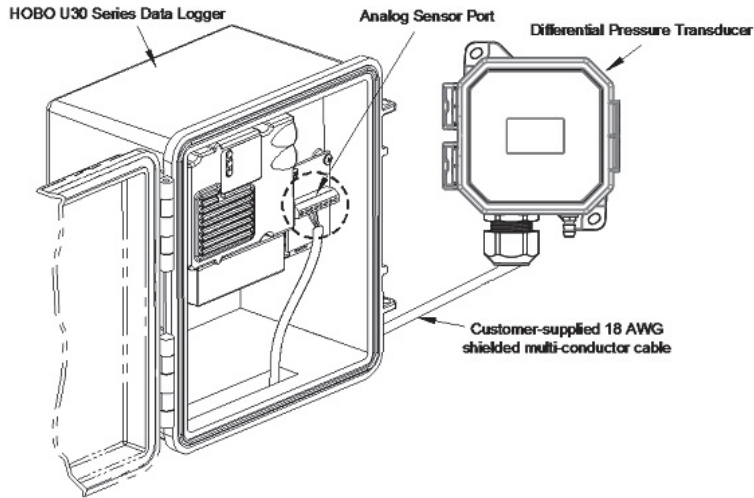
Connecting the Differential Pressure Transducer to the Analog Module or Port

H22 Connection



Veris Differential Pressure Transducer Connection Instructions

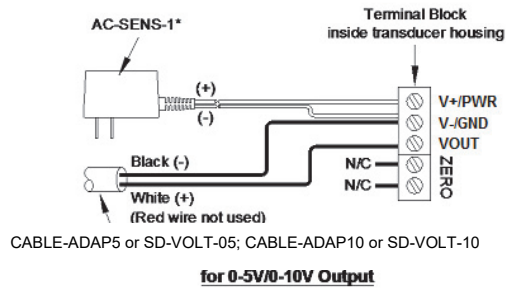
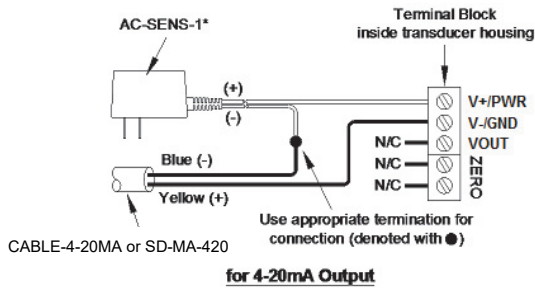
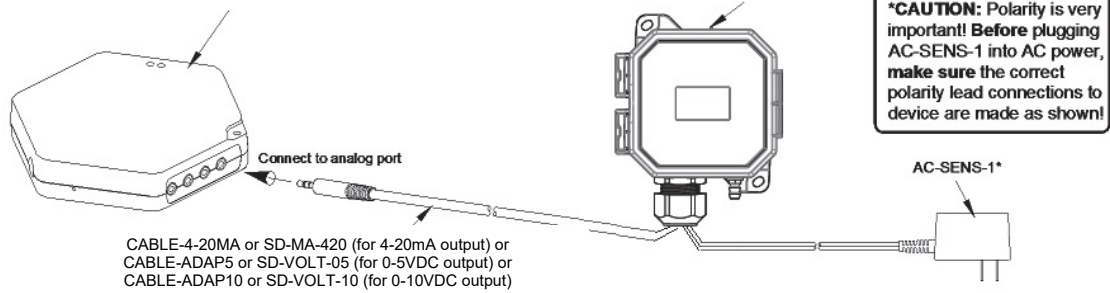
U30 or RX3000 Connection (U30 Shown)



Veris Differential Pressure Transducer Connection Instructions

ZW, U12, UX120-006M, MX1104, and MX1105 Connection

HOBO ZW Series Wireless Data Node; U12, UX120-006M, MX1104, and MX1105 Logger (ZW shown)



Configuring the Data Logger for the Differential Pressure Transducer using HOBO Software

Use the following recommended scaling values in the software:

Onset Part Nos.	Channel Name	Warm-Up	Measurement Type	Raw Value 1	Raw Value 2	Raw Units	Scaled Value 1	Scaled Value 2	Scaled Units
T-VER-PX3UL	Diff Pressure	20 sec	Current	4	20	mA	0	0.1 (or 0.25, 0.5, 1, 2.5, 5, or 10)	in WC
			Voltage	0	5 (or 10)	V			
	Velocity	20 sec	Current	4	20	mA	0	500, 1000, 2000, 3000, 4000, 5000, 6000, or 7000	ft/min
			Voltage	0	5 (or 10)	V			

Notes:

- Excitation power provided by the FlexSmart Analog Module (S-FS-CVIA) with H22; by the Analog Sensor Port/Module with U30 and RX3000; and by power adapter (AC-SENS-1) with ZW, U12, UX120-006M, MX1104, or MX1105.
- Both differential pressure transducer models have switch-selectable ranges and scales, as listed.
- Refer to the software documentation for more details on setting up scaling.